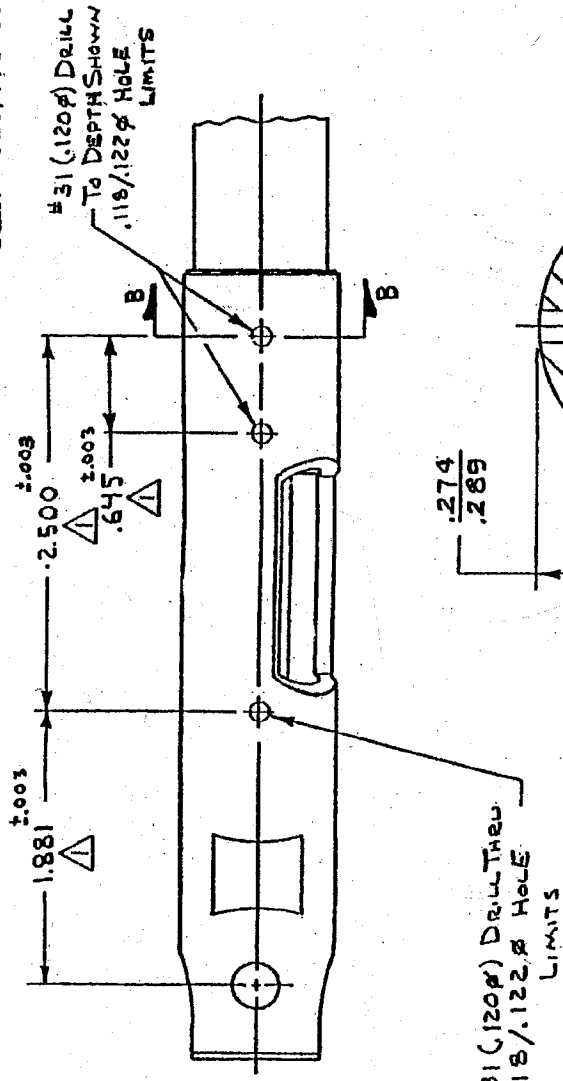


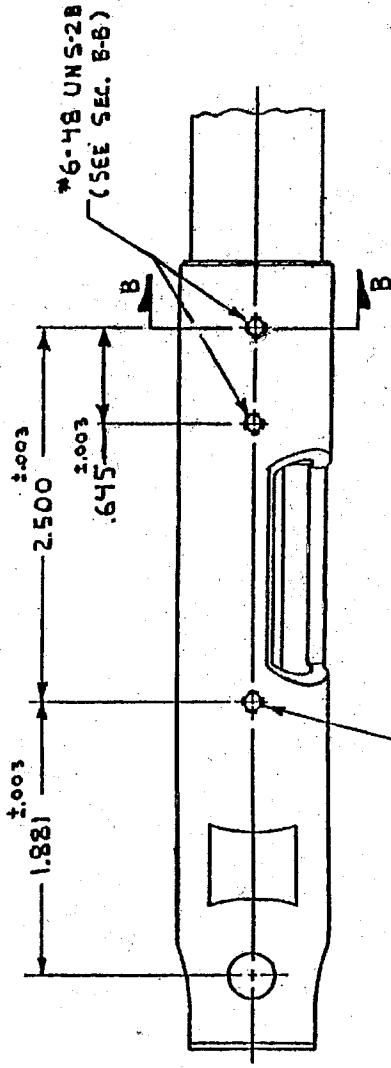


200 Ruger Road  
Prescott, AZ 86301  
Tel: 928/778-6555  
Fax: 928/778-6633



#31 (.120φ) Drill Thru  
.118/.122φ Hole  
LIMITS

SECTION B-B



#6-48 UNS-28  
THRU (1) WALL  
(1) PLACE

SECTION B-B

Drilling and Tapping Instructions

Ruger Scope Mount Bases (A07000,  
A07001, A07050B and A07050G)